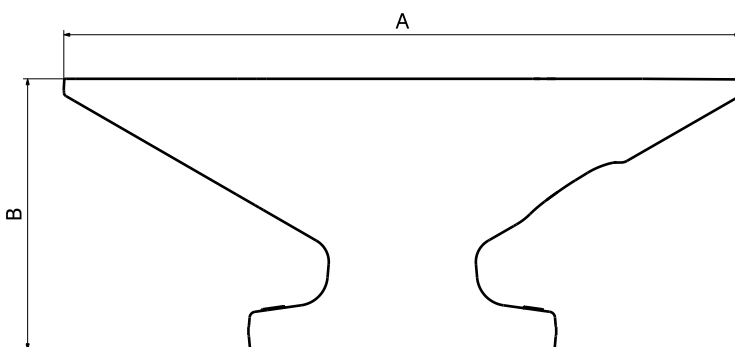
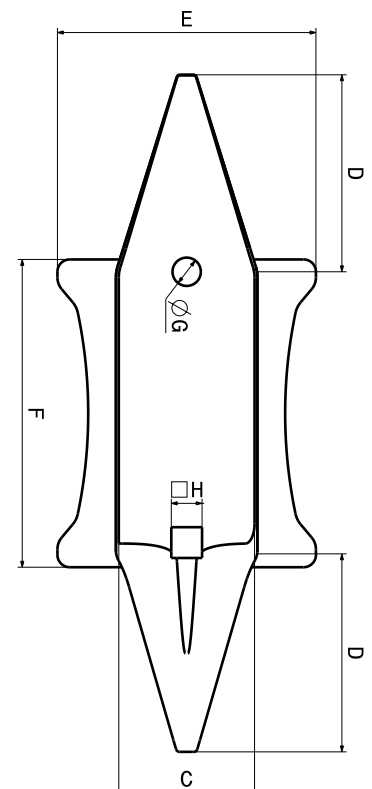


geschmiedete Ambosse

drop forged anvils
enclumes forgées



SIZE (WEIGHT)	A (Total length-mm)	B (Total height-mm)	C (Width of face-mm)	D (Length of horn-mm)	ExF (Base-mm)	Ø G (Round hole-mm)	□ H (Square hole-mm)
20 kg.	390	155	80	110	140x165	Ø 20	□ 22
35 kg.	475	200	95	135	170x195	Ø 20	□ 22
50 kg.	550	220	110	160	210x250	Ø 23	□ 25
75 kg.	625	265	125	185	235x275	Ø 23	□ 25



Vertrieb :

Angele GmbH
Ringstrasse 25
88416 Ochsenhausen
Deutschland

Tel. +49 7352-92 26-0

info@angele.de | www.angele-shop.com